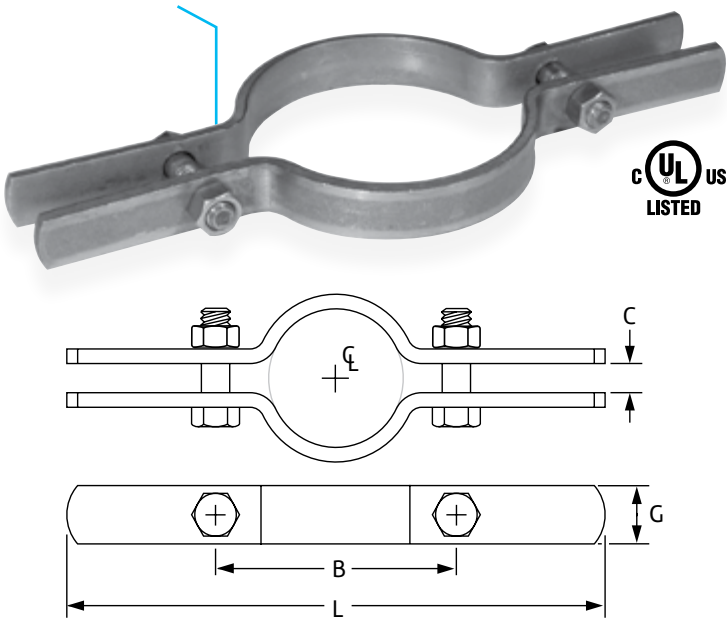


Extension Pipe or Riser Clamp Fig. 261 (Formerly Afcon Fig. 400)



Size Range: ¾" through 24"

Material: Carbon steel

Finish: Plain, Hot-Dip Galvanized with Zinc Plated Bolts & Nuts, Epoxy Coated or Painted.

Service: For support of stationary steel pipe risers, cast iron pipe or conduit. This product is not intended for use with hanger rods. For this application refer to Fig. 40 Riser Clamp, page 49.

Maximum Temperature: Plain 650° F, Galvanized and Epoxy 450° F

Approvals: Complies with Federal Specification A-A-1192A (Type 8) WW-H-171-E (Type 8), ANSI/MSS SP-69 and MSS SP-58 (Type 8). UL, ULC Listed (Sizes 1½" - 8").

Installation: Clamp is fitted and bolted preferably below a coupling, hub or welded lugs on steel pipe. Bolt torques should be per industry standards (see page 248). Clamp is designed for standard steel pipe O.D. and this must be considered in sizing the riser for other types of piping.

Ordering: Specify pipe size, figure number, name and finish.

Note: Refer to Technical Data Section of the Pipe Hanger Catalog for cast iron soil pipe data.

Fig. 261: Dimensions (in) • Loads (lbs) • Torque (ft-lbs) • Weight (lbs)

Pipe Size	Max Load	Weight	L	G Width	B	C	Bolt Diameter	Torque Values
¾	220	1.1	8 ⁷ / ₈	1	2 ⁷ / ₈	¾	¾	21
1		1.1	10		3 ³ / ₈			
1¼		1.6	10 ¹ / ₄		3 ¹ / ₂			
1½	300	1.6	10 ¹ / ₄	1	3 ⁷ / ₈	½	7 ¹ / ₆	32
2		1.7			4 ¹ / ₄			
2½	400	1.9	11 ¹ / ₄	1½	4 ³ / ₄	½	7 ¹ / ₆	32
3		1.9			5 ¹ / ₂			
3½	600	2.3	12 ⁷ / ₈	1½	6 ¹ / ₂	½	½	46
4		2.4			7			
5	1,500	3.6	13 ³ / ₄	1½	8	½	½	46
6		4.0			9			
8	2,500	7.6	18 ¹ / ₂	2	12	5 ⁵ / ₈	5 ⁵ / ₈	100
10		11.1			13 ³ / ₄			
12	2,700	16.5	22 ³ / ₄	2	15 ³ / ₄	5 ⁵ / ₈	5 ⁵ / ₈	100
14		17.7			17 ¹ / ₄			
16	2,900	30.4	26	2½	19 ³ / ₄	¾	¾	150
18		33.8			21 ¹ / ₄			
20	3,200	35.0	30	3	23 ³ / ₄	1	7 ⁷ / ₈	190
24		82.0			30			

PROJECT INFORMATION	APPROVAL STAMP
Project:	Approved
Address:	Approved as noted
Contractor:	Not approved
Engineer:	Remarks:
Submittal Date:	
Notes 1:	
Notes 2:	